

Installation, Use and Maintenance Manual

OVEN HOOD K143X

Introduction

Dear Customer, we hereby thank you for choosing our Oven Hood and hope you will be satisfied with our product.

1. Instructions

The following instruction manual is an integral part of the equipment and must be at the operators' disposal for advice until the end of the life cycle of the product.

Before carrying out any operations, carefully read the information contained in the manual about safe installation, use and maintenance.

The equipment is only intended for the use it has been designed for, by qualified and skilled personnel.

Installation, maintenance and repair operations must only be carried out by an authorized technical service centre or qualified personnel, in compliance with the regulations in force and according to the instructions provided by the manufacturer.

When using it for the first time, make sure that the hood conveyor connected to the exhaust ducts of the oven is positioned correctly, to prevent vapour leakage. It is recommended to make sure that the connection between the ducts and the oven is well sealed every time the hood or the oven on which it is installed are moved.

The equipment must be earthed in accordance with the safety regulations of the electrical system.

The plug to be connected to the power cable must be compliant with the regulations in force.

Do not block the openings, the heat ventilation and exhaust slits.

Use the hood at an ambient temperature between +5 °C and +35 °C.

This appliance is intended for professional use and complies with the EC directives in force. The appliance functions must be considered as an oven hood, therefore any other use of the device is improper.

The Manufacturer refuses all responsibility for direct and indirect damage caused by improper installation, tampering with, inadequate maintenance, improper use and failure to comply with the regulations contained in the instruction manual.

2. Installation

All the materials, with the exception of silicone, used for installation must resist a temperature of 150 °C without generating strains and/or surface defects.

2.1 - Positioning

The Oven Hood must be positioned on the oven, after must be fixed the conveyor by screws, that will be fixed to the rear oven's back (Fig. 1).

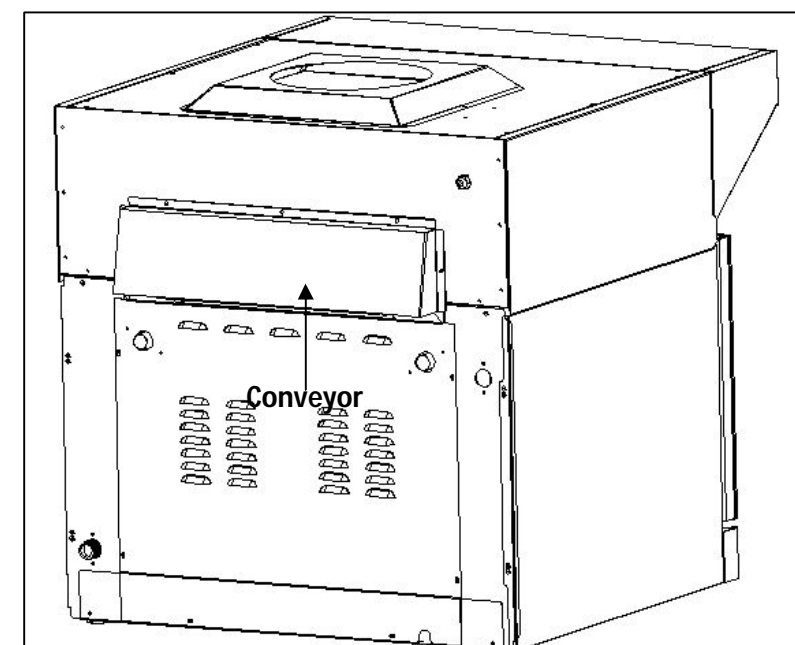


Figure 1

2.2 - Electrical connection

The electrical connection, single phase 220 – 230 V ~ 50Hz, must be carried out by qualified personnel in compliance with the European regulations in force.

The Oven hood is supplied with electric cable and plug. If the plug is replaced, it must be compatible with the maximum power of the hood. It is recommended to have the installation done by a qualified electrician, in compliance with the regulations in force.

Attention!!! – A bipolar safety switch must be set upstream of the hood.

Attention!!! – The equipment must be earthed properly according to the safety regulations of the electrical system.

2.4 – Operation

The Oven Hood will be turned on by the front switch (Fig. 2)

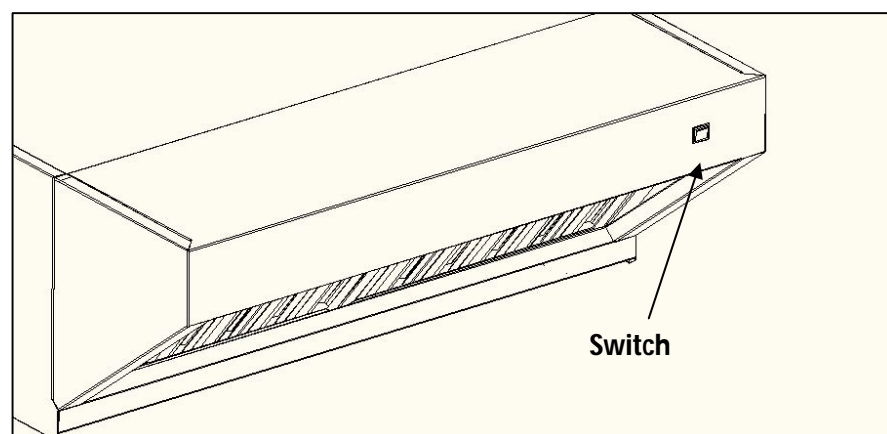


Figure 2

3. Maintenance

Attention!!! – Before carrying out any maintenance operations, turn off the current by using the appropriate switch or disconnecting the plug.

Attention!!! – Any maintenance operation must be carried out by qualified personnel only.

Maintenance operations may include the removal the panel cover. To remove the panel cover unscrew the perimetric screws (Fig. 3) and take care not to damage the electric cables when lifting the cover.

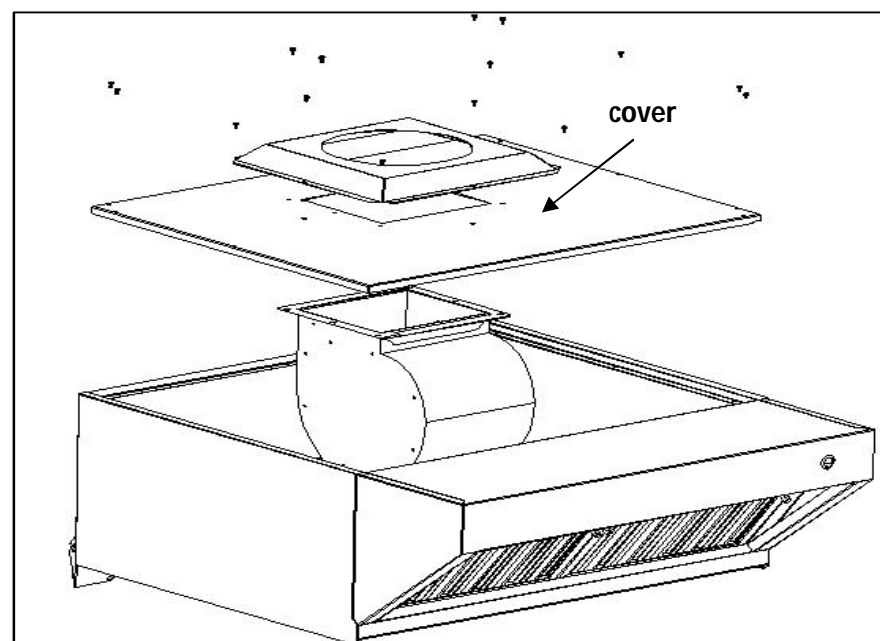


Figure 1

Attention!!! – When removing the panel, handle them with great attention by using gloves to protect hands from possible cuts.

3.1 – Disassembling labyrinth filters

To disassemble the filters, grab and slide them upwards so that they slip out of the lower guide. Rotate the lower wall slightly to release the filter completely. To reassemble the filters, follow the procedure reversely.

3.2 – Disassembling the fan

The fan is removed by removing the cover and disconnecting the same from the cable. After removing the front cover to which is attached the fan you can proceed to remove the screws that fixed the fan to the cover.

3.3 – Disassembling the switch ON OFF

Before removing the switch must be removed the cover panel mounted on the oven hood, fixed by screws (Fig. 4).

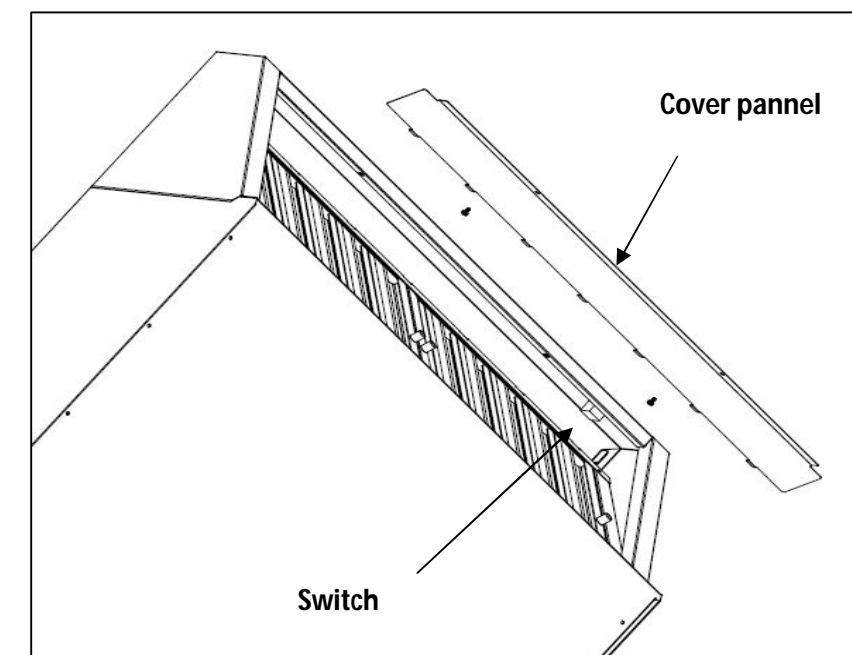


Figura 2

3.5 Spare parts

It is possible to use original or authorized spare parts only. Do not repair or replace any components of the oven hood that have not been recommended by this manual. All the other interventions must be carried out by authorized technical personnel. To ask for a spare part, indicate the hood model specified on the label.

The spare parts that can be supplied are the following:

- I. Switch ON OFF black 10 A;
- II. Fan 7/7 - 145 W 4P;
- III. Labyrinth filter 400 x 350 mm - GF032;
- IV. Eletrical wiring;
- V. Fixing brackets to the oven.

4. Cleaning

Attention!!! – Never use detergents containing: sand, caustic soda, acids or chlorides that might corrode the surface.

Attention!!! – Carry out any cleaning operation cutting off the power supply first

The hood must be cleaned by using a damp cloth with non-abrasive detergent and drying the surfaces with a dry cloth.

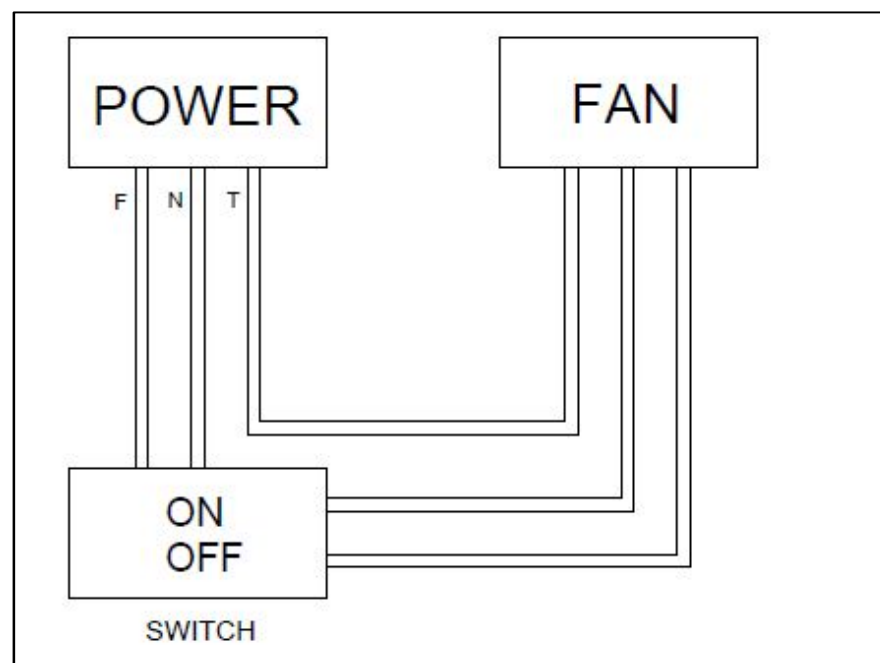


Figura 3 – Electrical connection.