

1. INSTRUCTIONS FOR USE	26
2. SAFETY PRECAUTIONS	28
3. ENVIRONMENTAL RESPONSIBILITY	30
4. GET TO KNOW YOUR OVEN	31
5. USING THE OVEN	33
6. CLEANING AND MAINTENANCE	39
7. EXTRAORDINARY MAINTENANCE	42
8. OVEN INSTALLATION	44

THESE INSTRUCTIONS ARE VALID ONLY FOR THE DESTINATION COUNTRIES WHOSE IDENTIFYING SYMBOLS ARE INCLUDED ON THE COVER OF THIS MANUAL.



INSTRUCTIONS FOR THE USER: these instructions contain user recommendations, a description of the controls and the correct procedures for cleaning and maintenance of the appliance.



INSTRUCTIONS FOR THE INSTALLER: these are intended for the qualified technician who must install the appliance, set it functioning and carry out an inspection test.



1. INSTRUCTIONS FOR USE



THIS MANUAL IS AN INTEGRAL PART OF THE APPLIANCE. IT MUST BE KEPT IN ITS ENTIRETY AND IN AN ACCESSIBLE PLACE FOR THE WHOLE WORKING LIFE OF THE APPLIANCE.

CAREFUL READING OF THIS MANUAL AND ALL THE INSTRUCTIONS THEREIN BEFORE USING THE APPLIANCE IS ESSENTIAL. INSTALLATION MUST BE CARRIED OUT BY QUALIFIED PERSONNEL IN ACCORDANCE WITH THE REGULATIONS IN FORCE. THIS APPLIANCE IS INTENDED FOR PROFESSIONAL USE AND CONFORMS TO THE EEC DIRECTIVES CURRENTLY IN FORCE. THE APPLIANCE HAS BEEN BUILT TO CARRY OUT THE FOLLOWING FUNCTIONS: COOKING FOOD; ALL OTHER USES ARE CONSIDERED UNSUITABLE.

THE MANUFACTURER CANNOT BE HELD LIABLE FOR USE OTHER THAN AS INDICATED.



IF THE APPLIANCE IS INSTALLED ON BOATS OR IN CARAVANS, DO NOT USE IT AS A ROOM HEATER.



DO NOT USE THIS APPLIANCE FOR HEATING ROOMS.



THIS APPLIANCE IS MARKED ACCORDING TO EUROPEAN DIRECTIVE 2002/96/EC ON WASTE ELECTRICAL AND ELECTRONIC EQUIPMENT (WEEE).

THIS DIRECTIVE DEFINES THE STANDARDS FOR THE COLLECTION AND RECYCLING OF WASTE ELECTRICAL AND ELECTRONIC EQUIPMENT APPLICABLE THROUGHOUT THE EUROPEAN UNION.



NEVER OBSTRUCT THE OPENINGS AND SLITS PROVIDED FOR VENTILATION AND HEAT DISPERSAL.



DO NOT REST ANY WEIGHT OR SIT ON THE OPEN DOOR OF THE APPLIANCE.



THE IDENTIFICATION PLATE WITH THE TECHNICAL DATA, SERIAL NUMBER AND BRAND NAME HAS BEEN VISIBLY AFFIXED TO THE APPLIANCE.

DO NOT REMOVE THIS PLATE FOR ANY REASON.



BEFORE THE APPLIANCE IS PUT INTO OPERATION, ALL THE PROTECTIVE FILMS APPLIED INSIDE OR OUTSIDE MUST BE REMOVED.



TAKE CARE THAT NO OBJECTS ARE STUCK IN THE DOOR OF THE OVEN.



General instructions

GB-IE



THE APPLIANCE BECOMES VERY HOT INSIDE DURING USE. SUITABLE HEAT-PROOF GLOVES SHOULD BE WORN FOR ALL OPERATIONS.



TRAYS MUST BE WASHED BEFORE USE WITH A SUITABLE KITCHENWARE DETERGENT (DO NOT USE ABRASIVE PRODUCTS).



THE OVEN IS DESIGNED FOR A MAXIMUM LOAD OF 3.5 KG.



DO NOT USE STEEL SPONGES AND SHARP SCRAPERS AS THEY WILL DAMAGE THE SURFACE.

USE NORMAL NON-ABRASIVE PRODUCTS, INCLUDING WOODEN OR PLASTIC UTENSILS IF NECESSARY. RINSE THOROUGHLY AND DRY USING A SOFT CLOTH OR A MICROFIBRE CLOTH.

DO NOT ALLOW RESIDUES OF SUGARY FOODS (SUCH AS JAM) TO SET INSIDE THE OVEN. IF THEY ARE ALLOWED TO SET FOR TOO LONG, THEY COULD RUIN THE SURFACES.



DO NOT USE PLASTIC KITCHENWARE OR CONTAINERS. THE HIGH TEMPERATURES INSIDE THE OVEN COULD MELT THE PLASTIC, DAMAGING THE APPLIANCE.



DO NOT USE SEALED TINS OR CONTAINERS IN THE APPLIANCE. OVERPRESSURE MAY OCCUR INSIDE THE CONTAINERS DURING COOKING, CREATING A DANGER OF EXPLOSION.



DO NOT LEAVE THE APPLIANCE UNATTENDED DURING COOKING PROCESSES WHERE FATS OR OILS COULD BE RELEASED. FATS AND OILS MAY CATCH FIRE.



DO NOT COVER THE BOTTOM OF THE OVEN WITH ALUMINIUM OR TINFOIL SHEETS DURING COOKING AND DO NOT PLACE PANS OR TRAYS ON IT TO AVOID DAMAGE TO THE SURFACE.



ALL COOKING OPERATIONS MUST TAKE PLACE WITH THE DOOR CLOSED.



2. SAFETY PRECAUTIONS

REFER TO THE INSTALLATION INSTRUCTIONS FOR THE SAFETY REGULATIONS FOR ELECTRIC OR GAS APPLIANCES AND VENTILATION FUNCTIONS.

IN YOUR INTERESTS AND FOR YOUR SAFETY THE LAW REQUIRES THAT THE INSTALLATION AND SERVICING OF ALL ELECTRICAL APPLIANCES IS CARRIED OUT BY QUALIFIED PERSONNEL IN ACCORDANCE WITH THE REGULATIONS IN FORCE.

OUR APPROVED INSTALLERS GUARANTEE A SATISFACTORY JOB.

GAS OR ELECTRICAL APPLIANCES MUST ALWAYS BE DISCONNECTED BY SUITABLY SKILLED PEOPLE.



BEFORE CONNECTING THE APPLIANCE TO THE POWER GRID, CHECK THE DATA ON THE PLATE AGAINST THE DATA FOR THE GRID ITSELF.



BEFORE CARRYING OUT INSTALLATION/MAINTENANCE WORK, MAKE SURE THAT THE APPLIANCE IS NOT CONNECTED TO THE POWER GRID.



THE PLUG TO BE CONNECTED TO THE POWER SUPPLY CABLE AND ITS SOCKET MUST BE OF THE SAME TYPE AND CONFORM TO THE REGULATIONS IN FORCE. THE SOCKET MUST BE ACCESSIBLE AFTER THE APPLIANCE HAS BEEN BUILT IN. NEVER DISCONNECT THE PLUG BY PULLING ON THE CABLE.



IF THE POWER SUPPLY CABLE IS DAMAGED, HAVE IT REPLACED IMMEDIATELY.



IT IS OBLIGATORY FOR ALL ELECTRICAL EQUIPMENT TO BE EARTHED ACCORDING TO THE METHODS LAID DOWN BY SAFETY REGULATIONS.



IMMEDIATELY AFTER INSTALLATION, CARRY OUT A BRIEF INSPECTION TEST, FOLLOWING THE INSTRUCTIONS BELOW. SHOULD THE APPLIANCE NOT FUNCTION, DISCONNECT IT FROM THE ELECTRICITY SUPPLY AND CALL THE NEAREST TECHNICAL SUPPORT CENTRE. NEVER ATTEMPT TO REPAIR THE APPLIANCE.



NEVER PUT INFLAMMABLE OBJECTS IN THE OVEN: IF IT IS SWITCHED ON BY ACCIDENT, IT MAY CAUSE A FIRE.



DURING USE THE APPLIANCE BECOMES VERY HOT. TAKE CARE NOT TO TOUCH THE HEATING ELEMENTS INSIDE THE OVEN.



THE APPLIANCE IS DESIGNED FOR PROFESSIONAL USE BY TRAINED PERSONS. DO NOT LET CHILDREN GO NEAR THE APPLIANCE WHEN IT IS IN OPERATION OR PLAY WITH IT AT ANY TIME.



General instructions

GB-IE



DO NOT INSERT POINTED METAL OBJECTS (CUTLERY OR UTENSILS) INTO THE SLITS IN THE APPLIANCE.



DO NOT USE STEAM JETS FOR CLEANING THE APPLIANCE.
THE STEAM COULD REACH THE ELECTRONICS, DAMAGING THEM AND CAUSING SHORT-CIRCUITS.



DO NOT MODIFY THIS APPLIANCE.



DO NOT SPRAY ANY SPRAY PRODUCTS NEAR THE ELECTRICAL APPLIANCE WHILE IT IS IN OPERATION.
DO NOT USE SPRAY PRODUCTS WHILE THE PRODUCT IS STILL HOT.



The manufacturer cannot be held liable for damage to persons or things caused by failure to observe the above instructions, by interference with any part of the appliance or by the use of non-original spare parts.



3. ENVIRONMENTAL RESPONSIBILITY

3.1 Our environmental responsibility



Pursuant to Directives 2002/95/EC, 2002/96/EC and 2003/108/EC relating to the reduction of the use of hazardous substances in electrical and electronic appliances, as well as to the disposal of refuse. The crossed out bin symbol on the appliance indicates that the product, at the end of its useful life, must be collected separately from other refuse. Therefore, the user must consign the product that has reached the end of its working life to the appropriate selective collection centres for electrical and electronic refuse, or deliver it back to the retailer when purchasing an equivalent product, on a one for one basis. Adequate differentiated collection for the subsequent forwarding of the decommissioned product to recycling, processing and ecologically compatible disposal contributes to avoiding possible negative effects on the environment and on health, and promotes recycling of the appliances constituent materials. The illicit disposal of the product by the user results in the application of administrative sanctions.

The product does not contain substances in quantities sufficient to be considered hazardous to health and the environment, in accordance with current European directives.

3.2 Your environmental responsibility

Our product's packing is made of non-polluting materials, which are therefore compatible with the environment and recyclable. Please help by disposing of the packaging correctly. You can obtain the addresses of collection, recycling and disposal centres from your retailer or from the competent local organisations.



Do not discard the packaging or any part of it, or leave it unattended. It can constitute a suffocation hazard for children, especially the plastic bags.

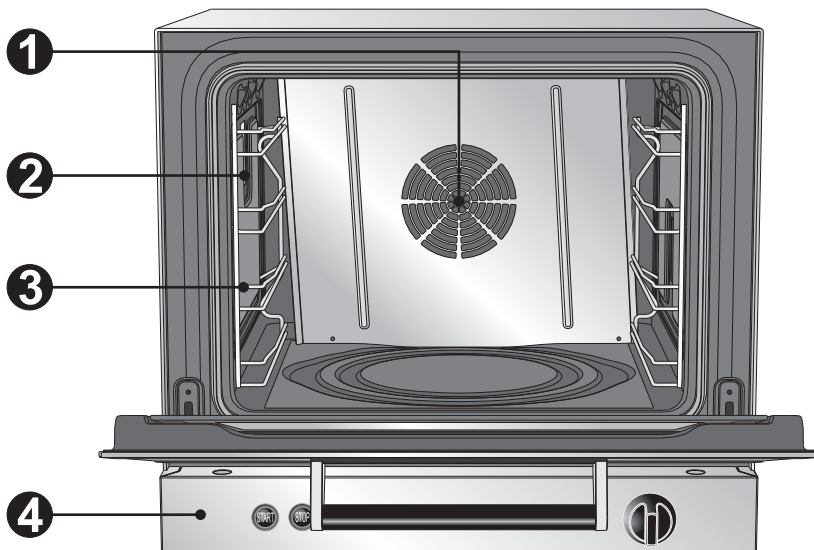
Your old appliance also needs to be disposed of correctly.

Important: hand over your appliance to the local agency authorised for the collection of electrical appliances no longer in use. Correct disposal enables intelligent recovery of valuable materials.

Before disposing of your appliance it is important to remove doors and leave shelves in the same position as for use, to ensure that children cannot accidentally become trapped inside during play. It is also necessary to cut the connecting cable to the power grid, removing it along with the plug.



4. GET TO KNOW YOUR OVEN



- 1 OVEN FAN
- 2 LAMP
- 3 RACK AND TRAY SUPPORT RUNNERS
- 4 CONTROL PANEL



4.1 DESCRIPTION OF CONTROLS



1

START BUTTON

This button lets you start cooking operations or perform a rapid cooling cycle when they are finished.



2

STOP BUTTON

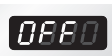
This button lets you stop cooking at any time.



3

DISPLAY

This lets you display the selected program and related cooking parameters.



4

PROGRAM SELECTION KNOB

Allows you to set the cooking operation using one of the programs, to select the temperature and duration of the cooking operation as well as the operating power.





5. USING THE OVEN

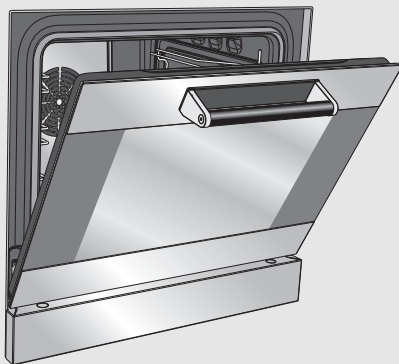


THE OVEN IS DESIGNED FOR A MAXIMUM LOAD OF **3.5 KG**.

5.1 Warnings and general advice



- When using the oven for the first time, heat it up to its maximum temperature for a duration long enough to burn off any oily residues from the manufacturing process.
- To access food during cooking, always leave the door open as short a time as possible to prevent the temperature in the oven from falling and ruining the food.



5.2 Choice of programs

This appliance allows you select **40** cooking programs including:

- 38 programs that can be edited and saved as the user wishes;
- 1 preheating program with delayed start “**P39**”;
- 1 manual program “**P40**”.



5.3 Editing / saving a program

The oven has 38 programs that can be modified by the user (from **P01** to **P38**). To set the operational parameters of a program:

- 1 Turn the knob to the **+** or **-** symbols to select the program you wish to save / edit.
- 2 Keep the **"PUSH"** knob pressed for 3 seconds: the display will show the cooking temperature.
- 3 Turn the knob to the **+** or **-** symbols to set the cooking temperature.
- 4 Press the **"PUSH"** knob: the display will show the cooking time.
- 5 Turn the knob to the **+** or **-** symbols to set the cooking time (from 1 to 99 min).
- 6 Press the **"PUSH"** knob to exit from the data setting and saving phase. The message **"PEnd"** will appear on the display and the parameters will be saved.
- 7 After 3 seconds the display will show the parameters set in rotation.
- 8 To return to the **"OFF"** status keep the **"STOP"** button pressed for 4 seconds.

5.4 Running a program

From the **"OFF"** status proceed as follows:

- 1 Turn the knob to the **+** or **-** symbols to select one of the available programs from **P01** to **P38**. The display will show the parameters of the selected program in rotation.
- 2 To start the program press the **"START"** button. The appliance will perform a preheating cycle, showing the message **"PrEh"** on the display.
- 3 When preheating is finished, a series of beeps lasting 3 seconds indicate that it is possible to proceed with the cooking operation. The message **"PrEh"** will flash on the display.
- 4 To start the cooking, keep the **"START"** button pressed for 2 seconds. The display will show, in order, the set parameters, the time remaining until the end of cooking and the program selected.
- 5 It is possible to start cooking early before the preheating temperature is reached, by keeping the **"START"** button pressed for 3 seconds.
- 6 During the last minute of cooking, only the countdown of the remaining 60 seconds will be displayed. At the end, a beep and the text **"End"** flashing (for 20 minutes) will indicate that cooking has been completed.
- 7 To return to the **"OFF"** status keep the **"STOP"** button pressed for 4 seconds.



5.4.1 Extending a cooking operation

When a cooking operation finishes, it is possible to extend it manually:

- 1 While the display is showing the message “**End**”, press the “**START**” button; the text “**tP00**” will appear on the display.
- 2 Turn the knob to the **+** or **-** symbols to set the additional minutes of cooking; at most 20 extra minutes are allowed.
- 3 To start cooking with the extra time that has just been set, press the “**START**” button for at least 2 seconds. A buzzer will sound to indicate the restart of the cooking process.
- 4 At the end of cooking, the text “**End**” will continue to flash for the next 20 minutes and the oven light will remain on.

5.4.2 Modifying a program during cooking

The program can be modified during cooking:

- 1 Press the “**PUSH**” knob: the display will show the cooking temperature.
- 2 Modify the settings as described in points 3 - 8 of paragraph "5.3 Editing / saving a program".



Settings modified during cooking are not stored.

- 3 3 seconds after the most recent change, the program exits its modification status, saving the settings (the parameters modified as described in this paragraph only remain stored until the end of cooking).



5.5 Manual cooking

The manual program is “**P40**” and can be edited by the user, but does not save the cooking parameters set in memory. To select this program proceed as follows:

- Save the program temporarily, as described in chapter 5.3 Editing / saving a program. Unlike saved programs, the cooking time can even be set to infinite; the display will show the text “**InF**”.
- After saving it, do NOT return to the “**OFF**” condition. Press the “**START**” button. The appliance will perform a pre-heating cycle, showing the text “**PrEh**” on the display.
- When preheating is finished, a series of beeps lasting 3 seconds indicate that it is possible to proceed with the cooking operation. The text “**PrEh**” will flash on the display.
- To start the cooking, keep the “**START**” button pressed for 2 seconds. The display will show, in order, the set cooking parameters.
- It is possible to start cooking early before the preheating temperature is reached, by keeping the “**START**” button pressed for 3 seconds.
- The operating parameters can be modified during cooking, as indicated in paragraph 5.4.2 Modifying a program during cooking.
- During the last minute of cooking, only the countdown of the remaining 60 seconds will be displayed. At the end, a beep and the text “**End**” flashing (for 20 minutes) will indicate that cooking has been completed.
- At the end of the cooking operation, to perform the same program again press the “**START**” button once more.
- To return to the “**OFF**” status keep the “**STOP**” button pressed for 4 seconds. The parameters set for the program are deleted.



5.6 Preheating with delayed start

The program with delayed pre-heating is set as follows:

- Turn the knob to the **+** or **-** symbols to select the program “**P39**”.
- Press the “**PUSH**” button for at least 3 seconds; the display shows the current hour flashing.
- Turn the knob to the **+** or **-** symbols to set the current hour.
- Press the “**PUSH**” button; the display will show the minutes flashing.
- Turn the knob to the **+** or **-** symbols to set the minutes.
- Press the “**PUSH**” button; the display will show the temperature flashing.
- Turn the knob to the **+** or **-** symbols to set the temperature.
- Press the “**PUSH**” button; the display will show the cooking start hour flashing.
- Turn the knob to the **+** or **-** symbols to set the preheating start hour.
- Press the “**PUSH**” button; the display will show the minutes flashing.
- Turn the knob to the **+** or **-** symbols to set the minutes.
- Press the “**PUSH**” button to exit from the data setting and saving phase. The text “**PEnd**” appears on the display and after 3 seconds it will display **P39**, the temperature and the pre-heating start time in succession.
- To start the program press the “**START**” button for at least 2 seconds. The display will show the current time and “**P39A**” in succession until the program is activated at the set time.



The oven will perform preheating at the set time; during this phase the display shows “**P39**”, the text “**InF**” and the set temperature in succession; this will continue until interrupted by the “**STOP**” button.

The program must be activated every day. To reactivate it set function P39 and press the “**START**” button for at least 2 seconds.



5.7 Rapid cooling

The oven is equipped with a special function that allows the oven interior to be cooled rapidly.

To activate it, when the display shows the text **"OFF"**, open the door and press the **"START"** button for at least 4 seconds.

This will activate the internal motor fan, the heating elements are switched off and the display shows the text " - - - - ".

To stop the function, press the **"STOP"** button.



6. CLEANING AND MAINTENANCE



Important:

do not aim jets of water directly against the oven; avoid the use of pressure jets.



NEVER USE A STEAM JET FOR CLEANING THE APPLIANCE.



Before performing any operations, switch off the power supply to the oven.

6.1 Cleaning stainless steel



To keep stainless steel in good condition it should be cleaned regularly at the end of the day. Let it cool first.

To clean and preserve the stainless steel surfaces, always use **only** specific products that do not contain abrasives or chlorine-based acids.

How to use: pour the product onto a damp cloth and wipe the surface, rinse thoroughly and dry with a soft cloth or chamois leather.

Do not use metallic sponges or sharp scrapers as they will damage the surface.

Use ordinary non-abrasive products for steel, with the aid of wooden or plastic utensils if necessary.

Rinse thoroughly and dry with a soft cloth or chamois leather.



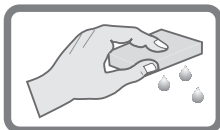


6.2 Cleaning the oven cavity



To keep the oven in good condition it should be cleaned regularly at the end of the day. Let it cool first. Take out all removable parts.

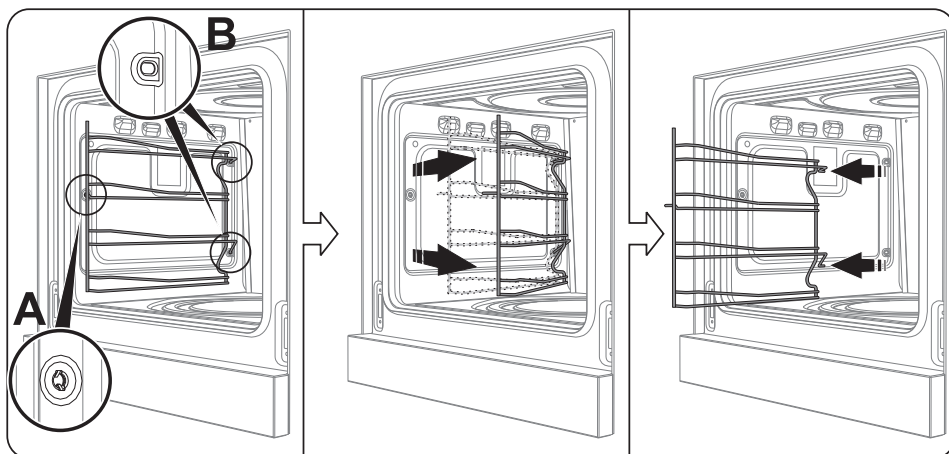
Remove the side guides by lifting them in order to release the front hook from the side pin, sliding them out of the holes on the base of the oven.



Removing the guide frames makes it easier to clean the side parts of the oven.

To remove the guide frames, pull the frame towards the inside of the oven to unhook it from its housing **A**, then slide it out of the seats at the back **B**.

- When cleaning is complete, repeat the above procedures in reverse order to put the guide frames back in.





6.3 Cleaning and removing the door glass

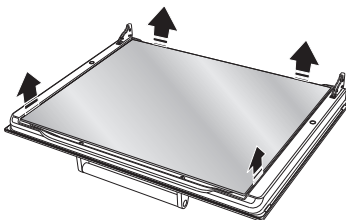
To facilitate cleaning, it is possible to remove the door (see 7.2 Removing the door) and place it on a canvas, or open it and lock the hinges in order to extract the glass panels.

The glass panels of the door can be completely removed by following the instructions provided below.

1

Removing the internal glass panel:

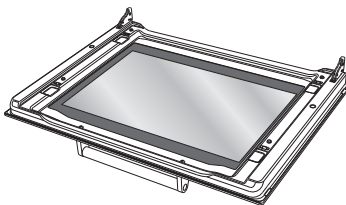
- Remove the internal glass panel by pulling it upwards, following the movement indicated by the arrows. Doing this detaches the 4 pins attached to the glass from their slots in the oven door.



2

Cleaning:

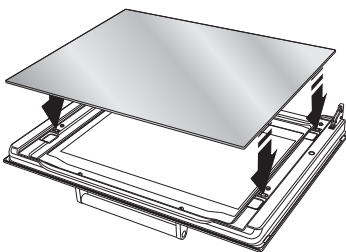
- It is now possible to clean the external glass panel and the panels removed previously. Use absorbent kitchen roll. In the case of stubborn dirt, wash with a damp sponge and neutral detergent.



3

Replacing the glass panels:

- Reposition the internal glass panel, taking care to centre and insert the 4 pins attached to the glass into their slots in the oven door by applying slight pressure.



Warning: before removing the glass panels, make sure that the door hinges have been locked in the open position as described in "7.2 Removing the door". This operation may have to be repeated during the glass removal process if the door is accidentally freed.



7. EXTRAORDINARY MAINTENANCE

The oven may require extraordinary maintenance or replacement of parts subject to wear, such as gaskets, bulbs, etc.

The following instructions describe how to carry out these minor maintenance operations.

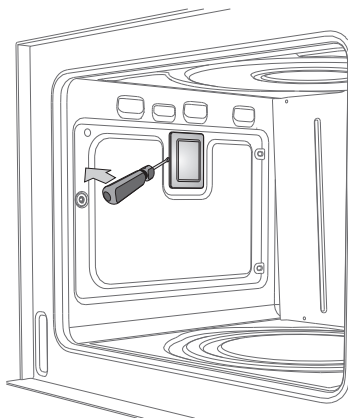


Before performing any operations, switch off the power supply to the oven.

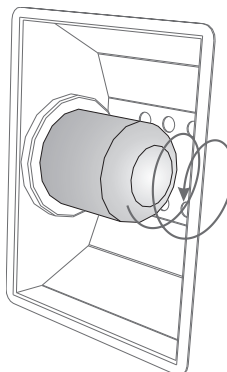
7.1 Replacing the light bulb

If a light bulb needs to be replaced because it is worn or burnt out, remove the guide frames; see “6.2 Cleaning the oven cavity”.

Then remove the bulb cover using a tool (e.g. a screwdriver).



Remove the bulb by unscrewing it as shown. Replace the bulb with one of the same type (25W). Replace the cover correctly, so that the moulded part of the glass is facing the door.

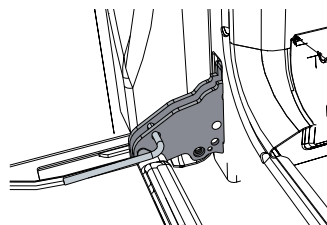


Use oven bulbs only (T 300°C).

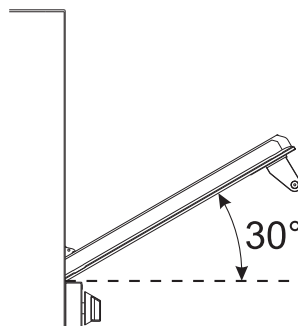


7.2 Removing the door

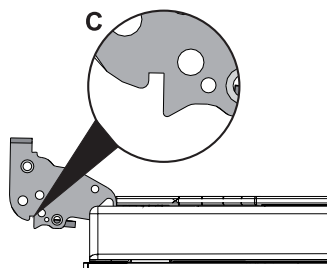
Open the door completely.
Insert two pins into the holes in the two hinges, away from them, until they engage.



Grasp the door on both sides with both hands, lift it forming an angle of around 30° and remove it.

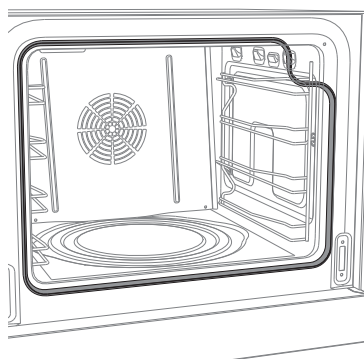


To reassemble the door, put the hinges in the relevant slots in the oven, making sure that grooved sections **C** are resting completely in the slots. Lower the door and once it is in place remove the pins from the holes in the hinges.



7.3 Removing the door seal

To permit thorough cleaning of the oven, the seal may be removed. Before removing the seal, take off the door as described above. Once the door has been taken off, lift the tabs at the corners as shown in the figure.





8. OVEN INSTALLATION



The oven must be installed on a free-standing horizontal work top. The distance from the rear wall must allow easy access to the terminal board for connection of the power supply cable. Installation must be carried out by a **qualified technician** and in compliance with EC DIRECTIVES currently in force.

8.1 Electrical connection



Make sure the voltage and the cross-section of the power cord match the specifications indicated on the identification plate positioned on the side of the oven. **Do not remove this plate for any reason.**

The oven is fitted with an **H07RN-F** three-core cable for operation at **220-240V~** and a power supply plug.



The standard cable is of the three-core 3 x 1.5 mm² H07RN-F type.

The power supply cable must be replaced by the manufacturer or by an authorised service centre to prevent any risks.



The plug and wall-mounted socket must be of the same type (in accordance with current regulations). Make sure that the supply line is suitably earthed. Avoid the use of adapters and shunts.



If the appliance is connected to the electrical mains supply in a permanent manner, install a multipolar cut-out device on the line, with contact opening distance equal to or greater than **3 mm** located near the appliance and in an easily reachable position.



WARNING: if the phase voltage drops below 190V~, the performance of the oven may suffer, not due to the product itself.



The terminal indicated by this symbol links up parts that are normally earthed. Connect the appliances appropriately using this terminal in order to make sure that they are equipotential.

8.1.1 Safety thermostat

The oven is equipped with a safety device that takes action in case of serious malfunction. To re-arm the safety device you must contact the technical assistance service.



The manufacturer cannot be held liable for damage to persons or things caused by failure to observe the above instructions or deriving from tampering with any part of the appliance.



8.2 Levelling

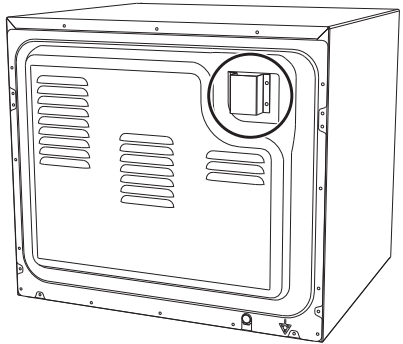


Level the oven on the ground using the four adjustable feet. To adjust them, loosen each foot. The adjustment screws have a range of 10 mm.

8.3 Steam outlet pipe

Depending on the model, there are one or two outlet pipes on the back of the oven for releasing the steam produced during cooking. These **must** be left free of any obstruction.

Avoid crushing them.



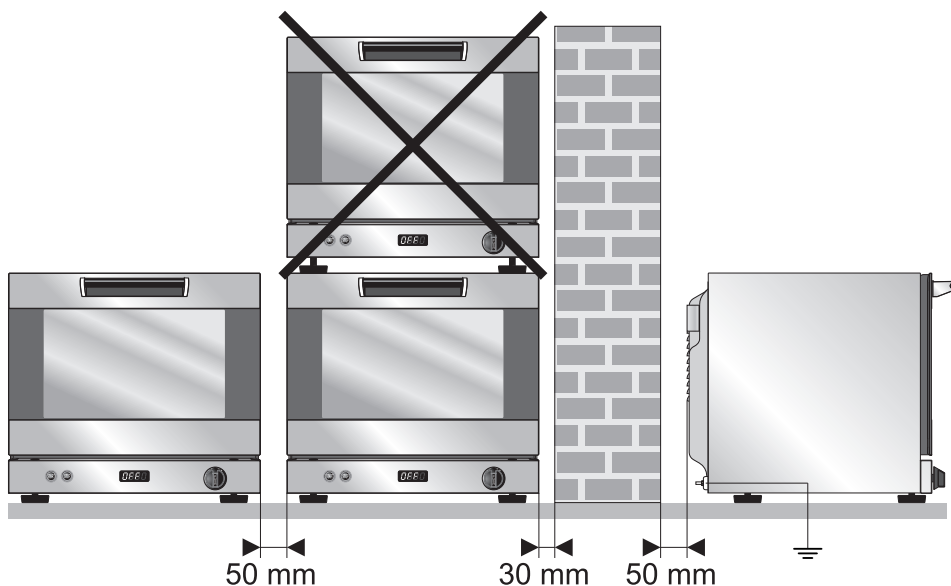


8.4 Multiple installations



When installing multiple units, position two or more appliances with a distance of 50 mm between them, making sure they are at least 50 mm away from any back wall and 30 mm away from any side walls.

Two or more appliances may not be stacked on top of each other.



Warning: the appliance support base must not be over **1.60 m** above the floor.