



# Electrolux

## Libero Line Series Single Zone Induction Wok - UK

ITEM # \_\_\_\_\_

MODEL # \_\_\_\_\_

NAME # \_\_\_\_\_

SIS # \_\_\_\_\_

AIA # \_\_\_\_\_



Electrolux



Libero Line Series

Single Zone Induction Wok - UK

603526 (DWHIG)

Plug-in Induction Wok.  
Single zone. UK plug

### Short Form Specification

Item No. \_\_\_\_\_

Table top design. Heavy duty 304 AISI stainless steel construction. High impact, heavy duty glass ceramic wok bowl for durability and easy cleaning. One induction wok shaped bowl diam. 310mm (2.9kW). Automatic pan detection transfers power only when the pan is present, maximizing energy efficiency. No heat emission into the work environment only to the magnetic wok induction pan. Smooth rounded edges guarantee a flush fit between units. Digital power level display and touch button control panel. IP24 protection. Cord and plug included. UK plug.

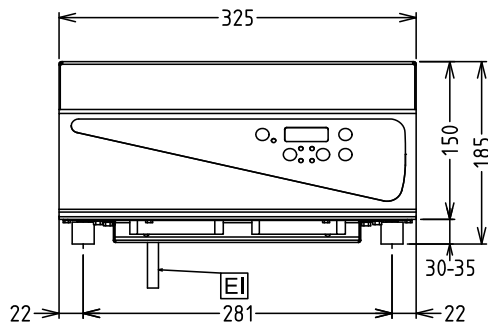
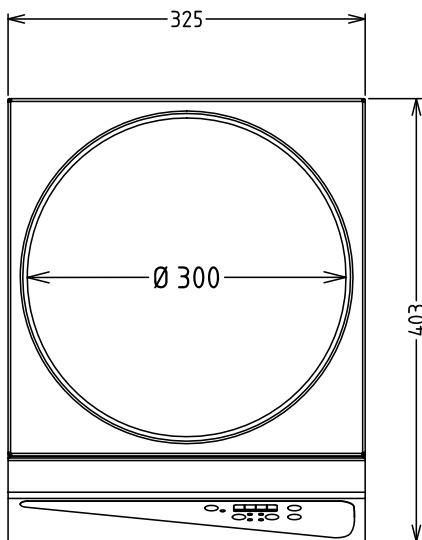
### Main Features

- Table top design, single zone model.
- Heavy duty, one-piece seamless, 304 AISI stainless steel construction.
- High impact, heavy duty glass-ceramic wok bowl for durability and easy cleaning.
- One induction wok shaped bowl.
- Fits Induction Ready Wok Pan.
- Automatic pan detection to transfer power only when pan is present.
- No heat emission into the work environment only to the magnetic wok induction pan.
- Smooth rounded edges guarantee a flush fit between units.
- Digital power level display and touch button control panel.
- Cord and plug included.
- IPX 4 water protection.

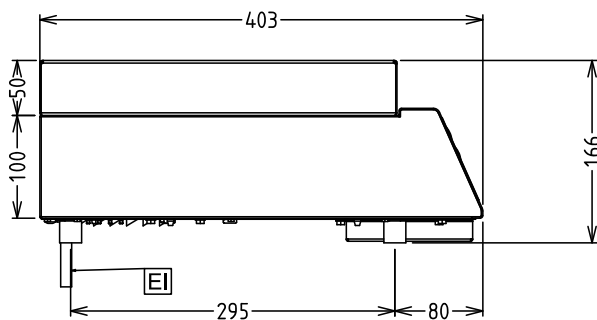
### Optional Accessories

- Stainless steel induction Wok pan with stainless steel handle (diam. 350mm) PNC 653595 □

APPROVAL: \_\_\_\_\_

**Front**

**Top**


EI = Electrical connection  
EO = Electrical Outlet

**Side**

**Electric**
**Supply voltage:**

603526 (DWH1G) 230 V/1N ph/50/60 Hz

**Total Watts:**

2.9 kW

**Key Information**
**External dimensions, Height** 185 mm

**External dimensions, Width** 325 mm

**External dimensions, Depth** 400 mm

**Net weight:** 12 kg

**Top area width:** 400 mm

**Top area depth:** 397 mm

**Plug Type:** 1phase: Schuko; 3phase: CEE