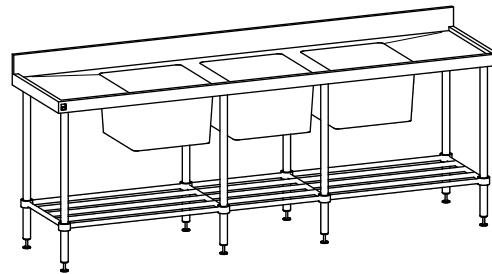
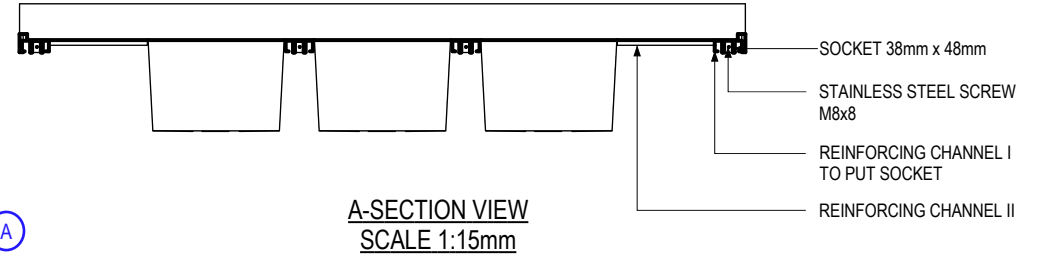


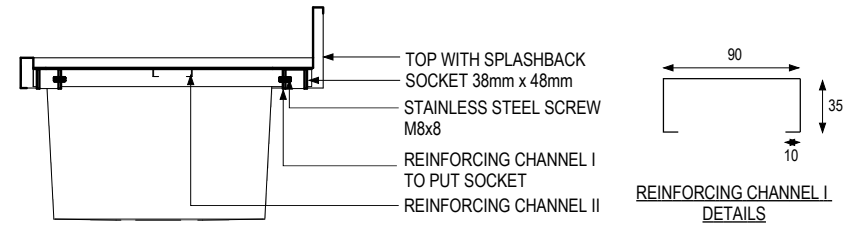
BOTTOM-PLAN VIEW (TOP ONLY)



ISOMETRIC VIEW
do not scale

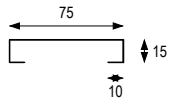


A-SECTION VIEW
SCALE 1:15mm

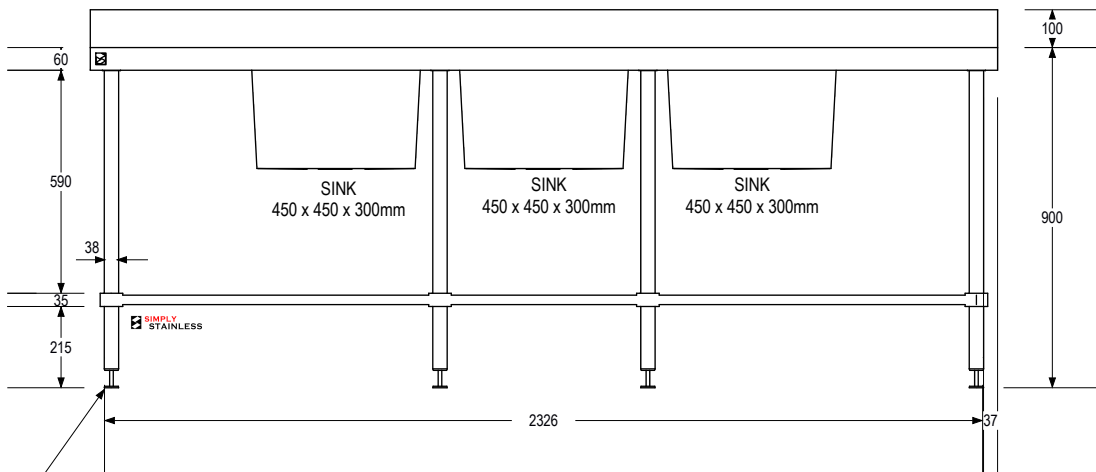


B-SECTION VIEW
SCALE 1:15mm

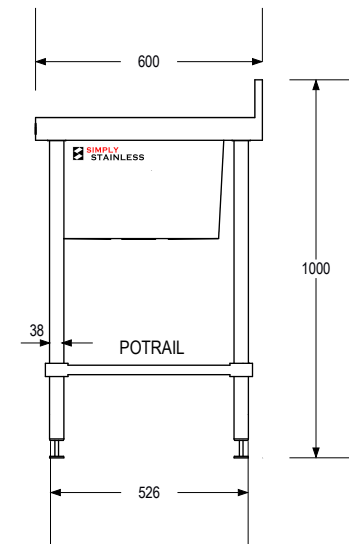
REINFORCING CHANNEL I DETAILS



REINFORCING CHANNEL II DETAILS



FRONT VIEW



SIDE VIEW

ADJUSTABLE
STAINLESS FEET



www.simplystainless.com
Modular Sinks Tables and Shelving

COPYRIGHT © 2016

This drawing is the property of CI GROUP PTY LTD. Tradings as SIMPLY STAINLESS and It may not be copied, reproduced or modified in whole or in part without prior written permission of CI GROUP PTY LTD.

EU 24-6-2400 TRIPLE SINK BENCH

scale 1:20

- FULL SS CONSTRUCTION NOTES :**
1. TOPS MADE FROM 1.2mm STAINLESS STEEL.
 2. CHANNEL REINFORCING I & II MADE FROM 1.2mm STAINLESS STEEL.
 3. SINKS MADE FROM 1.2mm STAINLESS STEEL
 4. FRAME MADE FROM Ø38mm STAINLESS STEEL TUBE.
 5. POTRAIL MADE FROM STAINLESS STEEL ROUND TUBE.
 6. FEET ARE ADJUSTABLE STAINLESS STEEL DISC SHAPED FEET.