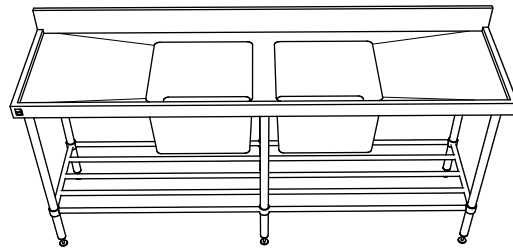
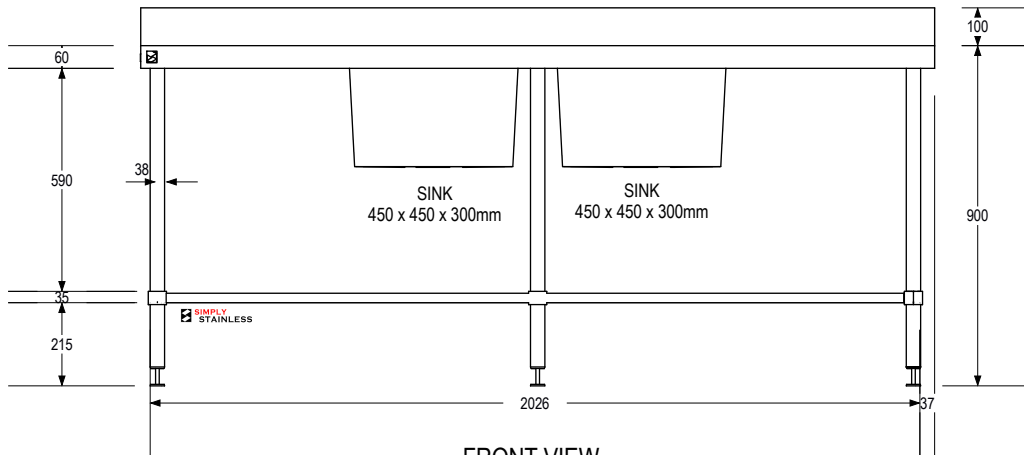


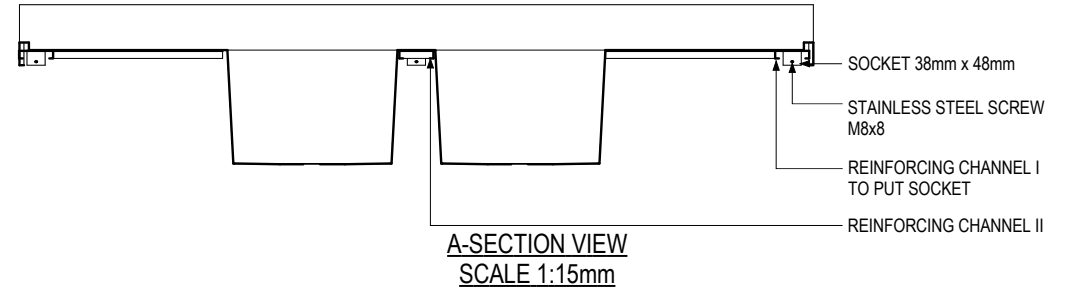
BOTTOM-PLAN VIEW (TOP ONLY)



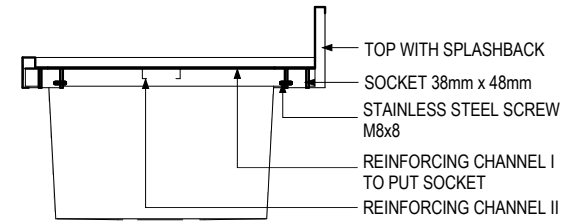
ISOMETRIC VIEW
do not scale



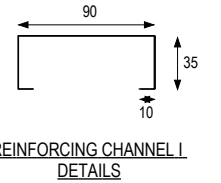
FRONT VIEW



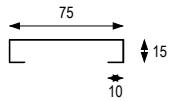
A-SECTION VIEW
SCALE 1:15mm



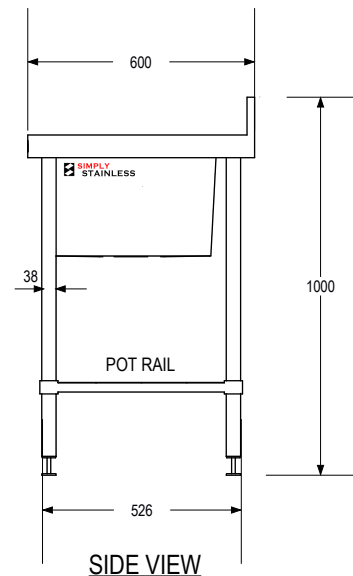
B-SECTION VIEW
SCALE 1:15mm



REINFORCING CHANNEL I
DETAILS



REINFORCING CHANNEL II
DETAILS



SIDE VIEW



www.simplystainless.com
Modular Sinks Tables and Shelving

COPYRIGHT © 2016

This drawing is the property of CI GROUP PTY LTD. Tradings as SIMPLY STAINLESS and It may not be copied, reproduced or modified in whole or in part without prior written permission of CI GROUP PTY LTD.

EU 06-6-2100 DOUBLE SINK BENCH

scale 1:20

- FULL SS CONSTRUCTION NOTES :**
1. TOP MADE FROM 1.2mm STAINLESS STEEL.
 2. CHANNEL REINFORCING I & II MADE FROM 1.2mm STAINLESS STEEL.
 3. SINK MADE FROM 1.2mm STAINLESS STEEL.
 4. FRAME MADE FROM Ø38mm STAINLESS STEEL TUBE.
 5. POTRAIL MADE FROM STAINLESS STEEL ROUND TUBE.
 6. FEET ARE ADJUSTABLE STAINLESS STEEL DISC SHAPED FEET.